

**Operating Instructions
for
Deep-well Probe**

Model: NTB



1. Contents

1. Contents	2
2. Note	2
3. Instrument Inspection	2
4. Regulation Use	3
5. Operating Principle	3
6. Mechanical Connection	3
7. Electrical Connection	5
8. Maintenance	5
9. Technical Information	5
10. Order Codes	6
11. Dimensions	7
12. EU Declaration of Conformance	8

Manufactured and sold by:

Kobold Messring GmbH
Nordring 22-24
D-65719 Hofheim
Tel.: +49(0)6192-2990
Fax: +49(0)6192-23398
E-Mail: info.de@kobold.com
Internet: www.kobold.com

2. Note

Please read these operating instructions before unpacking and putting the unit into operation. Follow the instructions precisely as described herein.

The devices are only to be used, maintained and serviced by persons familiar with these operating instructions and in accordance with local regulations applying to Health & Safety and prevention of accidents.

3. Instrument Inspection

Instruments are inspected before shipping and sent out in perfect condition.

Should damage to a device be visible, we recommend a thorough inspection of the delivery packaging. In case of damage, please inform your parcel service / forwarding agent immediately, since they are responsible for damages during transit.

Scope of delivery:

The standard delivery includes:

- Deep-well probe, Model: NTB with connection cable
- Operating Instructions

4. Regulation Use

Any use of the Deep-well probe, model: NTB, which exceeds the manufacturer's specification, may invalidate its warranty. Therefore, any resulting damage is not the responsibility of the manufacturer. The user assumes all risk for such usage.

5. Operating Principle

The immersion probe comprises a measuring cell, two-wire transmitter and special cable with capillary tube. The housing is made out of stainless steel with a pressure-sensitive diaphragm that is protected with a plastic cap. The level signal is determined by the pressure difference between the water column over the probe and atmospheric pressure which is transferred to the probe through the capillary tube. This differential pressure is converted to a 4 to 20 mA analogue signal by the piezo-resistive cell and the fitted electronics.

6. Mechanical Connection

The immersion probe is immersed up to the deepest point into the well or the basin. This is because only the water column above the sensor is measured.

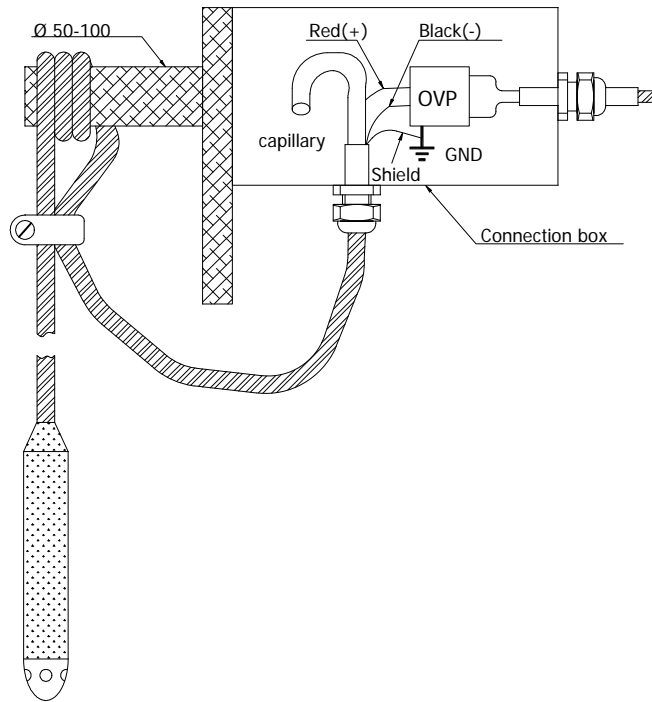


The probe may not fall onto the water surface, but must be immersed carefully, since otherwise the membrane will be destroyed.

Fasten the cable in such a way, so that the probe hangs freely and the capillary and supply pipe are not squeezed together. To anchor it properly, wind the tube three to four times around a pipe having a diameter from 50 to 100 mm and fix the cable-ends with a cable-strap. The cable end should be prepared according to the following diagram.



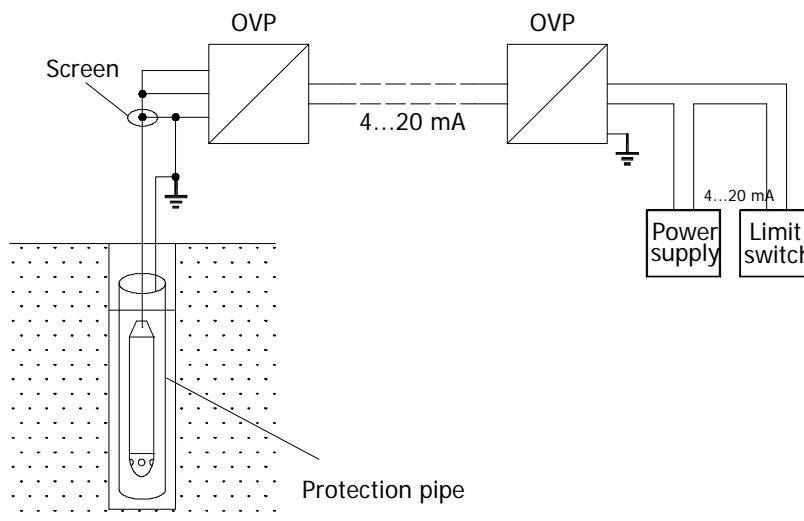
Moisture must not be allowed to enter the capillary.



An over-voltage protection (NTB-OVP) should be used with the outdoor-installation. The grounding of the over-voltage protection must be connected to the protective grounding via the shortest path available. Please observe the relevant regulations and safety standards (VDI/VDE).

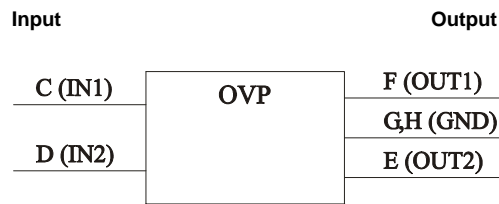
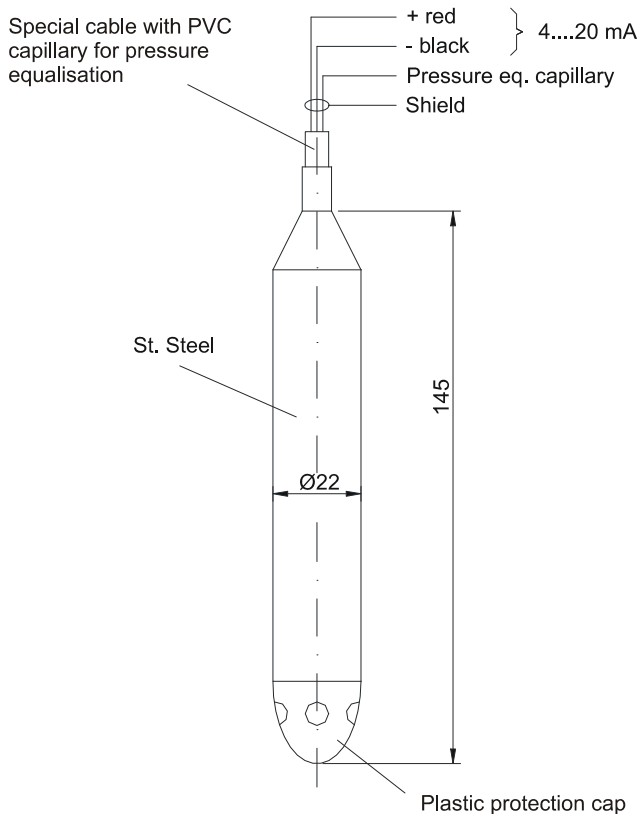
If the conductor length in the open field is larger than 15 m (outdoors) between transducer and evaluation electronics, an additional over-voltage protection needs to be employed.

To protect sensor against pressure-surges, the immersion probe can be placed inside a pipe.



7. Electrical Connection

The sensor and the over-voltage protector should be connected according to the following diagram.



The conductor, on which over-voltage may develop, must be connected to the input terminals of over-voltage protector. The sensor and evaluation-unit must be connected to the output terminals.

8. Maintenance

In case the medium to be measured is not contaminated, NTB units are maintenance-free. If the dirt forms on membrane and needs to be cleaned make sure you do not use any hard cleaning agents. If damaged, repair of membrane is possible only by the manufacturer.

9. Technical Information

Hydrostatic sensor
 Measuring range:
 NTB-1

0 to 200 m water column

Material/wetted parts

Sensor:	stainless steel 1.4404
Probe:	stainless steel 1.4571
Cable:	polyurethane
Sealing:	FPM
Cup:	stainless steel 1.4571
Overload capacity:	3 x measuring range
Output signal:	4 to 20 mA HART [®] , 2-wire
Linearity:	±0.25 %
Effects of ambient temperature:	±0.1 %/10 K
Auxiliary power:	12...30 V _{DC}
Load:	$R_{min} = \frac{U_t - 12 V}{0.02 A} \Omega$, U _t = auxiliary power
Protection:	IP 68
Operating temperature:	-10 °C...+60 °C
Dimensions of probe:	Ø 22 x 173 mm
Wire cross-section:	0.34 mm ²
Cable length:	up to 300 m (see order details)

Overvoltage protection

NTB-OVP12:	field mounting
NTB-OVP32:	rail DIN 46277-3
Maximum voltage (peak value)	
Slow:	90 V pp
Fast:	30 V pp
Series resistor:	13 Ω ±10%
Pulse power:	600 W / 1 ms
Protection:	IP 54 (NTB-OVP 12) IP 20 (NTB-OVP 32)

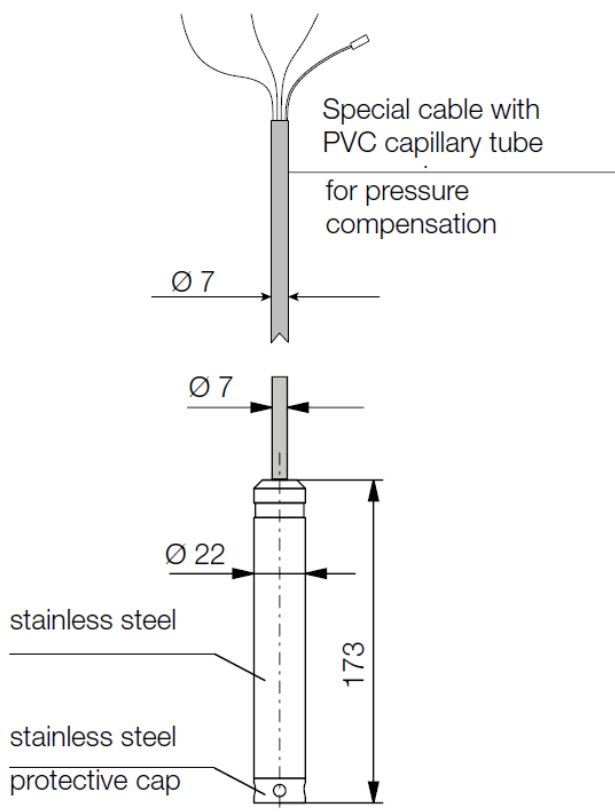
10. Order Codes

(Example: NTB-1301 01)

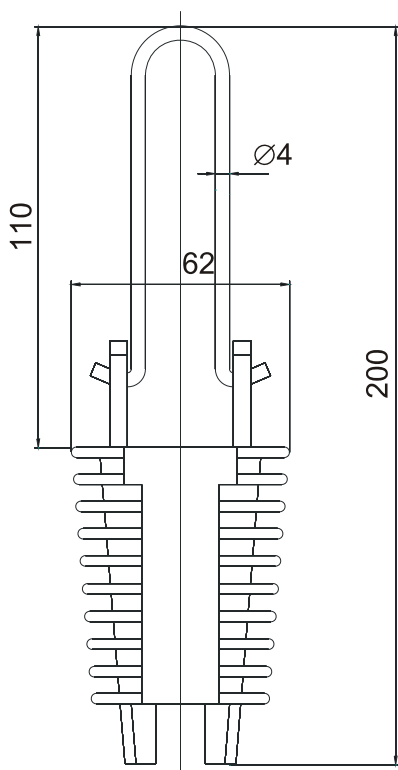
Deep-well Probe		
Meas. range	Order no.	Cable length
1 mWs	NTB-1301...	...01 = 1 m ...10 = 10 m ...3H = 300 m ...YY = other
2 mWs	NTB-1302...	
5 mWs	NTB-1305...	
10 mWs	NTB-1310...	
20 mWs	NTB-1320...	
50 mWs	NTB-1350...	
100 mWs	NTB-131H...	
200 mWs	NTB-132H...	
other	NTB-13YY...	

Accessories model	Order no.
Over voltage protection field mounting	NTB-OVP12
Over voltage protection rail mounting	NTB-OVP32
Cable mounting wedge clamp	NTB-NAA209

11. Dimensions



Cable mounting wedge clamp



12. EU Declaration of Conformance

We, KOBOLD Messring GmbH, Hofheim-Ts, Germany, declare under our sole responsibility that the product:

Deep-well probe Model: NTB...

to which this declaration relates is in conformity with the standards noted below:

EN 61010-1:2011 Safety requirements for electrical equipment for measurement, control and laboratory use - Part 1: General requirements

EN 61326-1:2013 Electrical equipment for measurement, control and laboratory use - EMC requirements - Part 1: General requirements

EN 61326-2-3:2013 Electrical equipment for measurement, control and laboratory use - EMC requirements - Part 2-3: Particular requirements - Test configuration, operational conditions and performance criteria for transducers with integrated or remote signal conditioning

Also the following EC guidelines are fulfilled:

2014/30/EU

EMC Directive

2014/35/EU


Low Voltage Directive

2011/65/EU

RoHS (category 9) industrial monitoring and control instruments, compliant, no CE-marking for the transitional period until 2017



H. Peters
General Manager



M. Wenzel
Proxy Holder

Hofheim, 15. Sept. 2016