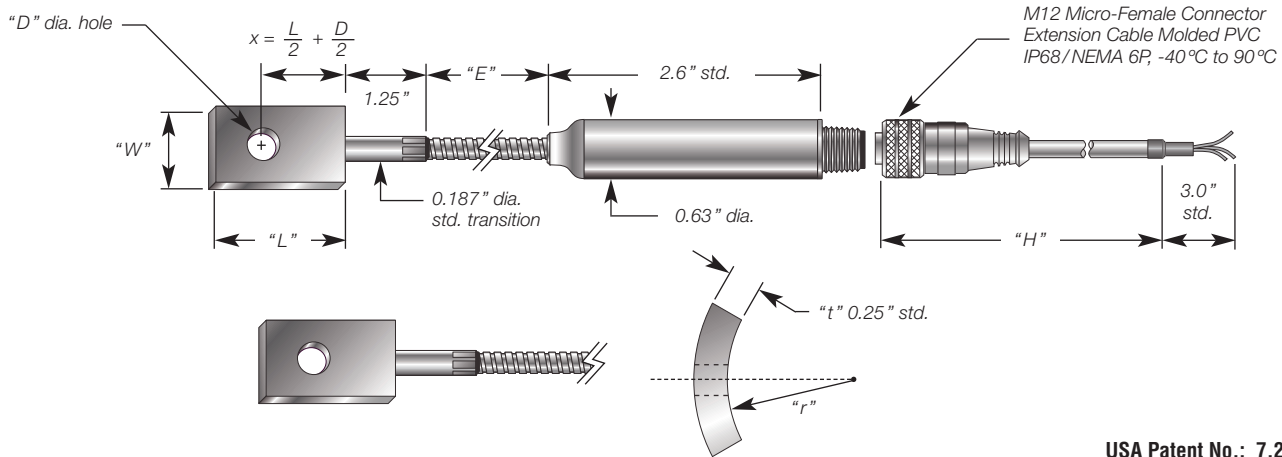


# MIST M340

RTD Temperature Transmitter  
w/Surface Mount Ring



USA Patent No.: 7,223,014  
CDN Patent No.: 2,561,570

## Custom Builder

MODEL    1    2    3    4    5    6    7    8    9    10    11

**M340** -  -  -  -  -  -  -  -  -  -  -  -

BOX1 CODE	Calibrated Temperature Range
05	0°C to 50°C (32/122°F)
10	0°C to 100°C (32/212°F)
15	0°C to 150°C (32/302°F)
20	0°C to 200°C (32/392°F)
30	0°C to 300°C (32/572°F)
40	0°C to 400°C (32/752°F)
55	-50°C to 50°C (-58/122°F)
51	-50°C to 150°C (-58/302°F)
52	-50°C to 200°C (-58/392°F)
L*	-50°C to 200°C (-58/392°F)
M*	-50°C to 400°C (-58/752°F)

\* Code **L** & **M** are not factory calibrated. Requires customer calibration using the **MIST PKIT**.

- Notes:**
- MIST Temperature Sensors™ are factory calibrated at one point to an accuracy of ±0.12°@0°C or better. See MIST specs.
  - For non-standard temperature ranges, indicate desired value in °C or °F in Box1 or see web site [www.intempco.com](http://www.intempco.com).
  - Order **MIST PKIT** for sensor customization.

BOX2 CODE	Output
LP	4-20 mA loop, upscale burnout (std.)
LD	4-20 mA loop, downscale burnout
VA	0-5 Vdc, 3-wire
VB	1-5 Vdc, 3-wire
VD	0-10 Vdc, 3-wire

Other outputs available. Consult factory.

BOX3 CODE	Ring Hole Diameter "D"
00	No hole, blank ring
--	In 0.01" increments Ex.: <b>25</b> =0.25" dia. hole

BOX4 CODE	Ring Material
B	Brass (std.)
A	Aluminium
S	Stainless steel 316

Other materials available. Consult factory.

BOX5 CODE	Ring Size		
	"t"	"W"	"L"
A	.25"	.38"	.62"
B	.25"	.62"	.88"

- Note :**
- Other ring sizes available. Consult factory.
  - For certain ring sizes, a transition other than size shown above may be installed.

BOX6 CODE	Ring Radius "r"
00	No radius, flat ring
--	In 0.01" increments Ex.: <b>50</b> =0.50" radius

- Note :**
- Min. radius available is 0.38".
  - For certain ring sizes, a specified radius may not be available. Consult factory.

BOX11 CODE	Matched Pair Options
A	Supplied as 1 Single M340 Unit
B*	Supplied as 2 Matched M340 Units*

\* Two M340's supplied, factory calibrated as a matched pair at two points. Highest accuracy available for BTU measurement.

BOX7 CODE	Extension Cable Type "E"
PV	PVC insulation, stranded cond. 90°C (195°F) max.
TF	Teflon® insulation, stranded cond. 200°C (392°F) max.
TA	Teflon® with SS armor, 200°C (392°F) max.
TS	Teflon® with SS overbraid, 200°C (392°F) max.
FA	Fiberglass insulation with SS armor, 400°C (752°F) max.
FS	Fiberglass insulation, with SS overbraid, 400°C (752°F) max.

BOX8 CODE	Extension Cable Length "E"
---	In feet Ex.: <b>060</b> =60 feet long

BOX9 CODE	Connector Type
MC	M12 Micro-Male Connector

Other types of connectors available. Consult factory.

BOX10 CODE	Extension Cable Length "H"
N	None
A2	Straight, 2 meters
A5	Straight, 5 meters
B2	Right angle, 2 meters
B5	Right angle, 5 meters