

Product Features

- *Very compact and easy wall mount installation*
- *Programmable switching points, hysteresis, switching mode, time delay and output logic*
- *Fully factory programmable to customer specifications*
- *Accurate to ±0.5°C (± 1.0°F) of set-point or better*
- *Input is RTD Pt100 ohm with 3-wire compensation*
- *Output is SPDT relay*
- *Die cast aluminium metal housing, Type 12, IP65*

Description

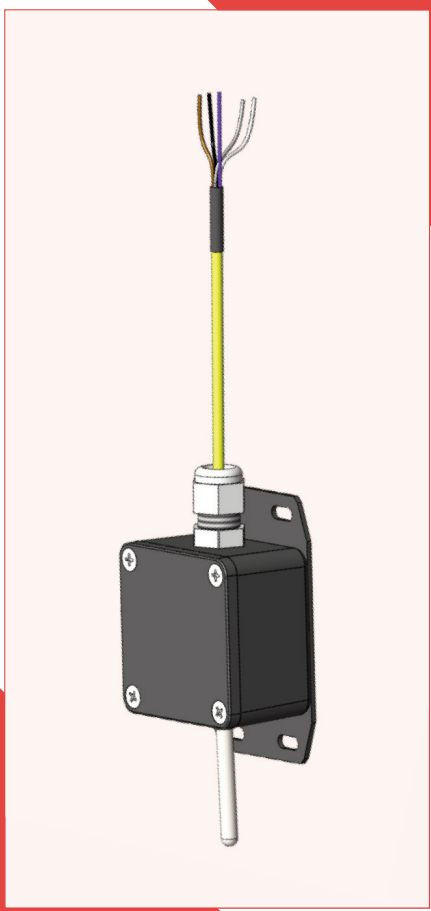
The PTS®201 is a microprocessor-based wall mounted temperature switch. It features stainless RTD probe, painted aluminium die cast housing in which electronics are potted. Based on Intempco's patented MIST technology, it offers the highest performance for the most demanding temperature switching applications.

The advanced programming, via the PKIT, allows for set-point, reset point, failsafe and time delay calibration. It is factory programmed to customer specifications. It converts standard 3-wire RTD signal into a temperature switch using a SPDT relay. It is the first in the industry to offer these features in this compact size!

Specifications

Optimal Operating Conditions :	@Vnom = 24 VDC, T.ambient = 25°C
Power Supply :	12-30VDC
Supply Effect :	Less than 0.005 %/V
Power Consumption :	Max. 50mA @ 24VDC
Input :	Pt100, 3-wire, α=0.00385, DIN EN 60751
Excitation Current RTD :	0.2mA
Accuracy :	±0.5°C (±0.25°F) with default factory calibration
Repeatability :	±0.25 °C (±0.12 °F)
Sensor Lead Resistance RTD :	RTD resistance + lead wire resistance must be less than 3KΩ
Output :	Relay SPDT Nominal Switching Capacity : 1A @ 30VDC or 0.3A @ 125VAC
Switching Range :	Programmable, between -40°C to 80°C (-40°F to 176°F)
Switching Mode :	Programmable between Rising, Falling, or Zone
Hysteresis :	Programmable from 0 to 99°, factory set to 1° std.
Response Time :	Programmable from 0 to 99 seconds, factory set to 1 second
Switching Logic :	Programmable between Normal and Fail Safe
Open Circuit Detection:	Software programmable
Ambient Operating Temperature :	-40°C to 80°C (-40 °F to 176°F)
Ambient Temperature Effect :	± 0.02 °C/°C
Storage Temperature :	-40°C to 80°C (-40 °F to 176°F)
Housing Material :	Die Cast Aluminium, BlackEnamel Painted
Housing Dimensions:	2" x 2" x 1"

- *Information furnished by Intempco is believed to be accurate and reliable. However, no responsibility is assumed by Intempco for its use.*
- *Specifications subject to change without notice.*



The PTS®201 temperature switch with Cable Output option



The PTS®201 Temperature Switch with M12 Connector

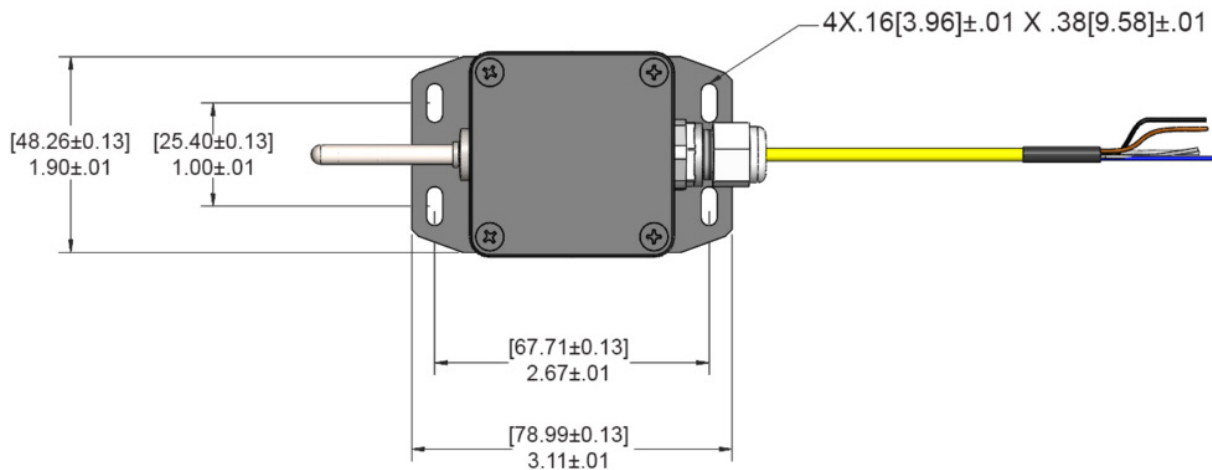
†PTS® is a trademark of Intempco Controls Ltd. and is registered in the US Patent and Trademark Office.

Stocked Items :

SKU: 518-007

Part Num: PTS201-SA-PV-006-CA-S1

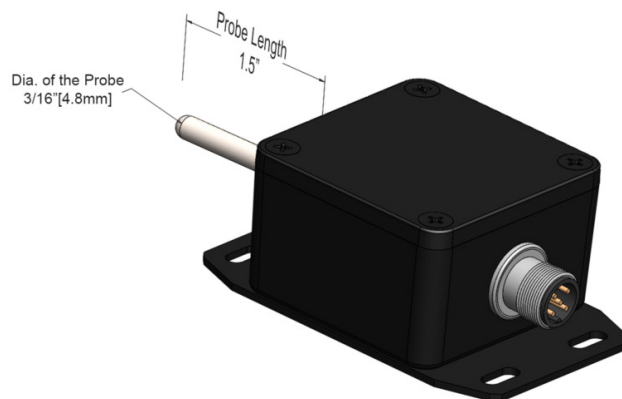
- PTS201 switch with 3/16" Probe diameter, 1.5" Probe length, 2 m PVC Cable
- Relay output SPDT



SKU: 518-008

Part Num: PTS201-SA-M5-N-CA-S1

- PTS201 switch with 3/16" Probe diameter, 1.5" Probe length, and M12 connector
- Relay output SPDT



†PTS is a trademark of Intempco Controls Ltd. and is registered in the US Patent and Trademark Office.

Custom Builder

MODEL 1 2 3 4 5 6 7 8 9 10 11 12

PTS201 - - - - - - - - - - - -

BOX 1 CODE	Output
SA	PTS820 Switch Module, 1A relay

BOX 2 CODE	Extension Type
PV	PVC insulation, 90°C (195°F) max
M5	M12 Micro-Connector, 5Pin male receptacle

Other extension available. Consult factory.

BOX 3 CODE	Extension Type
N	None
A2	Straight - 2 meters
A5	Straight - 5 meters
B2	Right angle - 2 meters
B5	Right angle - 5 meters
Extension Cable Length "E" (Cable option)	
---	In feet Ex.: 060=ft long (max.999ft)

BOX 4 CODE	Enclosure
CA	Die Cast Aluminium Enclosures, Black Enamel Painted, meets Type 12/IP65

BOX 5 CODE	Probe Type
S1	Stainless Steel 316 RTD Probe ø0.188" x 1.5" (ø4.8mm x 38mm)

BOX 6 ESPEC: Programmable Switch Configuration

	Feature		Options
BOX 7	Alarm type	-	1: High Temp Limit Switching on Rising Temperature
			2: Low Temp Limit Switching on Falling Temperature
			3: Range Temp Limit Switching outside of Temp. Limit
BOX 8	Switching Point	---	Ex. 050 = 50 degrees
BOX 9	Temperature Unit	-	C: Switching Temp. in Celsius (°C)
			F: Switching Temp. in Fahrenheit (°F)
BOX 10	Hysteresis	--	Ex. 03 = 3 degrees 2°C (3.6°F) default value
BOX 11	Time Delay (sec)	--	Ex. 02 = 2.0 seconds 1.0 second default value
BOX 12	Output Logic	-	A: Normal (Std.)
			B: Fail safe (avoid if possible as relay always energized)
BOX 13	Options	-	

†PTS® is a trademark of Intempco Controls Ltd. registered in the US Patent and Trademark Office.