

Product Features

- Large 4-digit red LED display
- Field re-programmable with optional PC interface module and software
- Security password and tracking protection for re-programming and re-calibration
- 4-20 mA programmable linearized signal output
- Utilizes self-calibration feature for accurate and stable performance
- Utilizes Pt-100 Ohm RTD Class A element for temperature sensing
- Micro M12 male plug or cable gland for electrical connection
- IP 65 / NEMA 4 rated environmental protection
- All stainless steel 316 construction
- Easy installation with various mounting configurations

Description

The DTG01 series Digital Temperature Gauges are a complete solution for most industrial temperature monitoring and temperature indicating applications. Of high quality construction, these gauges features a bright and large 4-digit red LED display with an analog 4-20 mA output. Based on Intempco's patented MIST™ technology, they are designed for optimum accuracy and performance. The series DTG01 are an ideal replacement for bi-metal, liquid bulb and gas thermometers.

The DTG01 can be factory calibrated to customer specified temperature range. As with any other MIST™ series patented technology sensor, the DTG's built-in programmable transmitter can be re-scaled and re-calibrated using the optional interface module and software. The DTG arrives factory scaled and calibrated to the customer's specified temperature range. No costly field calibration is required. If the application changes, the DTG can be re-scaled at any range within the sensor limits while maintaining its accuracy. Reprogramming is done with the optional PC interface module and software.

Housing, probe and fitting material is all fabricated from stainless steel 316. DTG is rated to NEMA 4X (IP65). Many mounting configurations are available to meet customer requirements. Standard extension cables offered are PVC or Silicon insulated wires. Some models are available with M12 Micro-Male Connector.

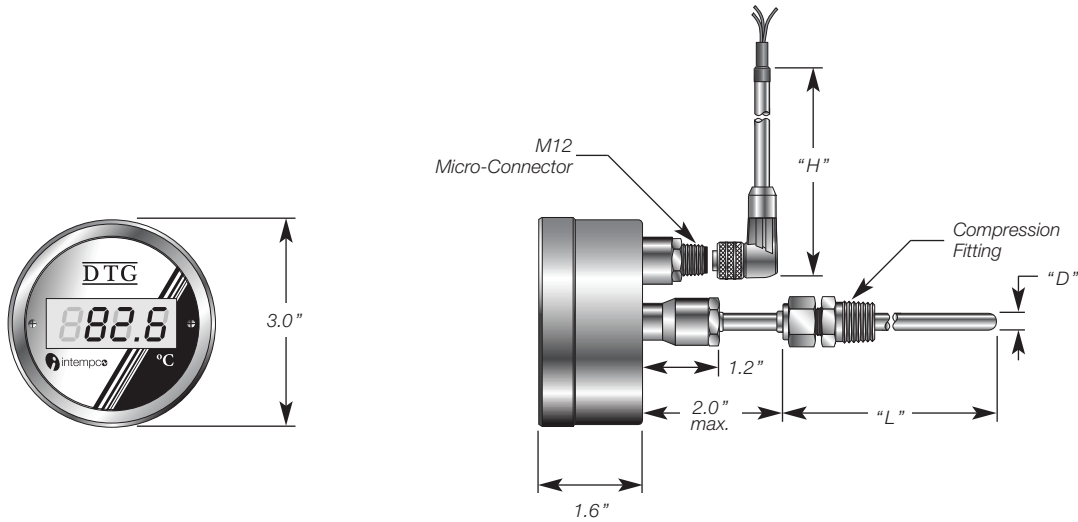
Certain features of this product are covered under US Patent no.: 7,233,014



Application / Process Notes

- Replacement for Bi-Metal, Liquid Bulb and Glass Thermometers
- Pharmaceutical
- Food Preparation
- Utilities and Municipal
- Refineries
- Chemical and Petrochemical Plants
- Paper Mills
- Hydraulics

DTG07 Back Mount w/Adjustable Compression Fitting



Custom Builder

MODEL 1 2 3 4 5 6 7

DTG07 - - - - - - -

BOX1 CODE	Calibrated Temperature Range
05	0°C to 50°C (32/122°F)
10	0°C to 100°C (32/212°F)
15	0°C to 150°C (32/302°F)
20	0°C to 200°C (32/392°F)
55	-50°C to 50°C (-58/122°F)
51	-50°C to 150°C (-58/302°F)
52	-50°C to 200°C (-58/392°F)
L*	-50°C to 200°C (-58/392°F)

* Code **L** DTG is not factory programmed. Requires customer set-up using the **DTG PKIT**.

Notes:

- DTG sensors are factory calibrated to accuracy of $\pm 0.25\%$ of span or better.
- For non-standard temperature ranges indicate desired value in °C or °F in Box1 or see website www.intempco.com.
Ex.: DTG07-(40/120°C)-CU...
- Std. display is in °C. Add suffix **F** to display in °F.
Ex.: **10F**
- Order **DTG PKIT** to set-up, re-program and re-calibrate in-house.

BOX2 CODE	Output
CU	4-20mA source 3-wire, upscale burnout
CD	4-20mA source 3-wire, downscale burnout

BOX3 CODE	Probe Dia. "D" & Mat'l
4S	1/4", 316 Stainless steel
6S	3/8", 316 Stainless steel
8S	1/2", 316 Stainless steel

BOX4 CODE	Probe Length "L"
---	In 0.1" increments Ex.: 065 =6.5" long, 120 =12" long

BOX5 CODE	Fitting Type
N	None
D	1/4" NPT (max. probe .312" dia.)
F	3/8" NPT (max. probe .375" dia.)
H	1/2" NPT
L	3/4" NPT

Note: Fitting material is stainless steel SS316

BOX6 CODE	Connector Type
MC	M12 Micro-Male Connector

BOX7 CODE	Extension Cable Length "H"
N	None
B2	Right angle, 2 meters
B5	Right angle, 5 meters

Note: Cable insulation is PVC, 90°C (195°F) max.